



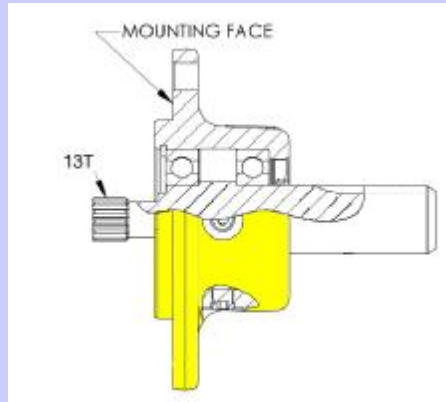
OMNI GEAR®
**Engineered Bearing
Housings**

Creating Value for our Customers
www.OmniGear.com

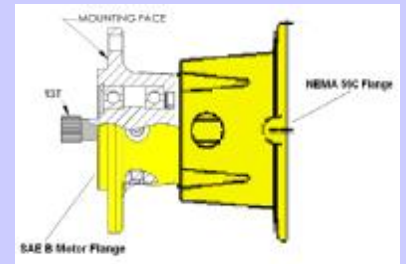
Omni Gear Builds bearing housings for a wide variety of machines and applications with Shaft speeds up to 5000 rpm and Radial load capacities up to 10 tons. Inputs can be for hydraulic motor, electric motor, or shaft input.



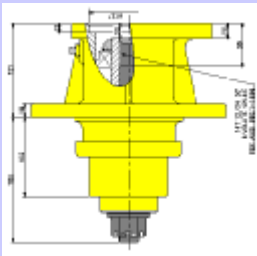
MDH-40



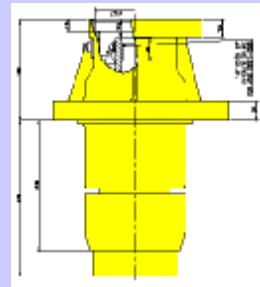
SAE to Shaft



SAE to NEMA



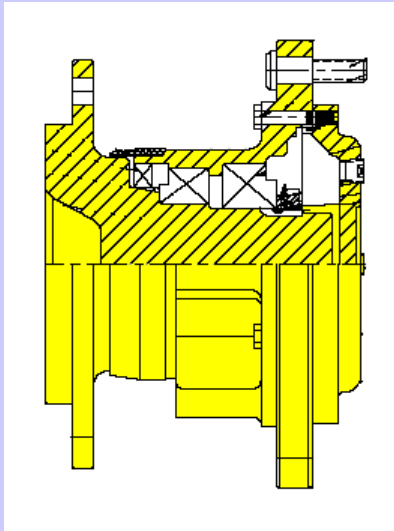
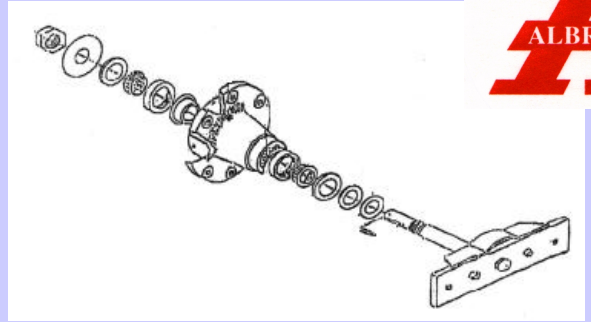
MDH-65



MDH-100



MD-35



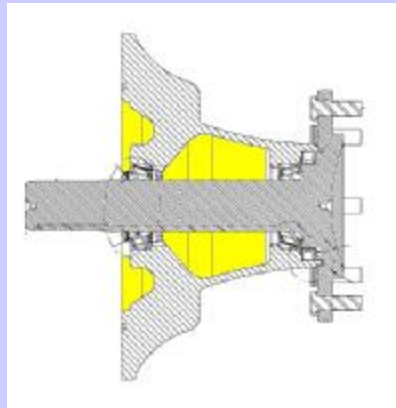
WN-06



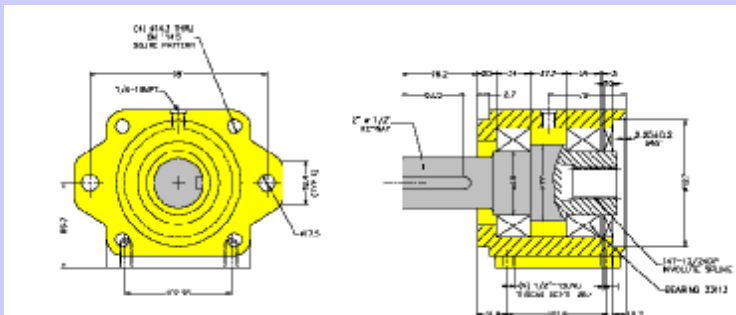
MD-20 Ball



MD-20 Tapered



Flanged Shaft



MDH-45



MDH-35 Group 3

Housing
Gray iron and ductile iron are standard.

Mounting Holes
Options include metric and inch size tapped holes. Custom bolt hole patterns available.

Bearing Locknut
ISO class external bearing locknut system standard.

Input Options
Input shafts, electric motor and hydraulic motor flanges available.

Coatings
Painted black with standard primer and top coat. Other coatings are available.

Bearings
ISO tapered roller bearings standard.

Lubrication
Units can be filled with mineral or synthetic oils/greases according to application requirements.

Seals
High quality double-lip oil seals standard. Other options include Viton seals and cartridge type seals.

Shafts
Carburized alloy steel shafts standard.

Labyrinths
Output seal labyrinths available for extra seal protection.





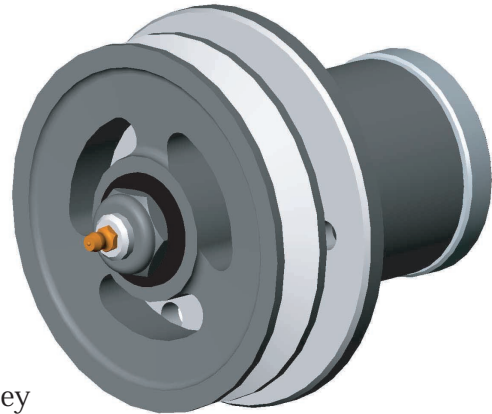
OMNI GEAR®



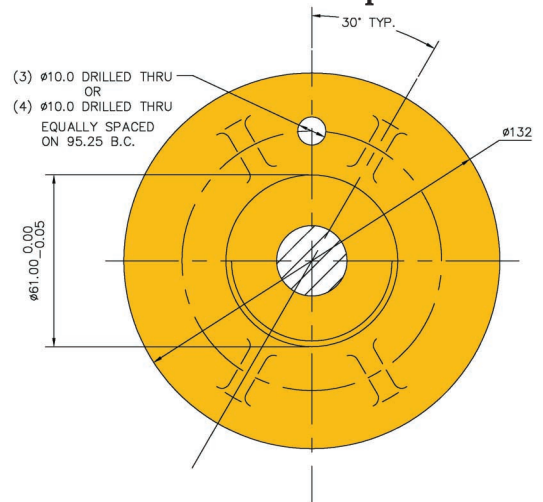
MD-20 Mower Spindle Bearing Housing

Options include:

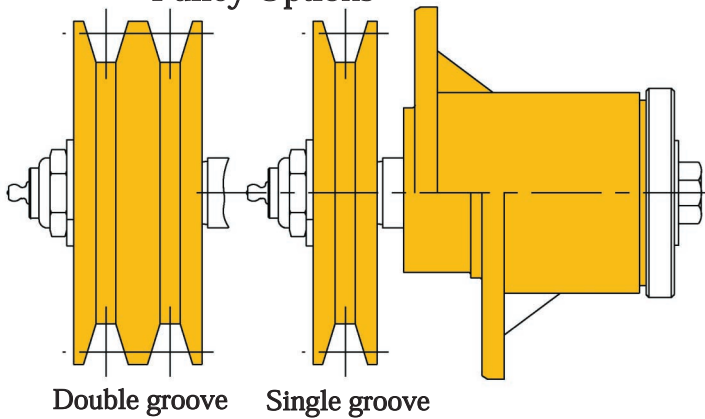
- Aluminum or ductile housings
- Right hand or Left hand blade bolts
- 1/2" or 9/16" blade bolt diameter
- 3, 4, and 6 hole patterns
- Tapered keyed output and straight keyed output shafts
- Flange location in center and bottom of housing
- Sealed and non-sealed bearings
- Comes standard with 4.5" pulley, single groove B type pulley
- Double groove pulley with B type grooves available



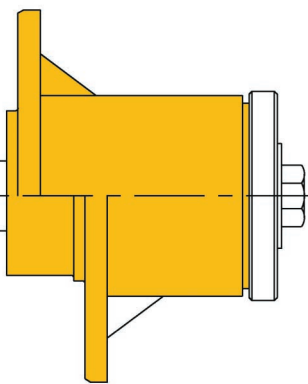
Mounting Flange Bolt Circle Options



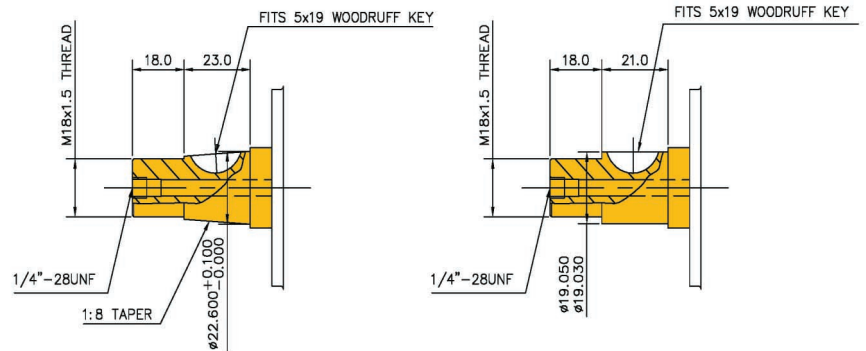
Pulley Options



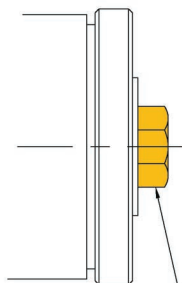
Flange Location Options



Shaft Options



Blade Bolt Options



- 1/2"-20UNF-2B-LH (CCW ONLY)
- 1/2"-20UNF-2B-RH (CW ONLY)
- 9/16"-18UNF-2B-LH (CCW ONLY)
- 9/16"-18UNF-2B-RH (CW ONLY)

Tapered Keyed

Straight Keyed

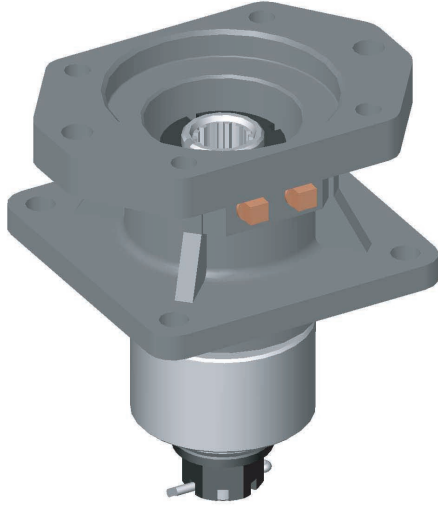




OMNI GEAR®



MDH-40 Mower Spindle Bearing Housing



Options include:

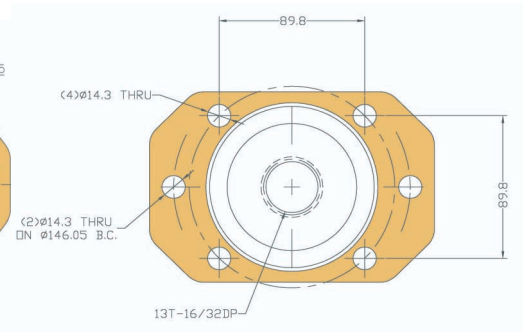
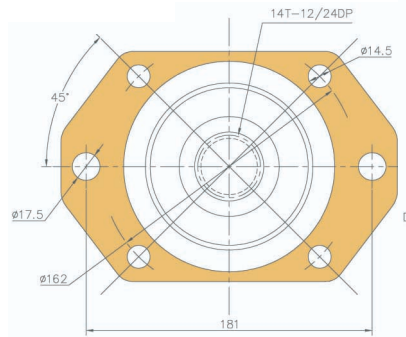
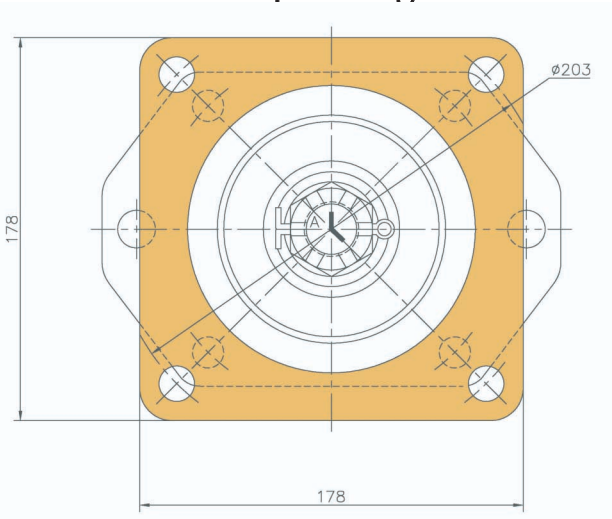
- SAE C 2 & 4 bolt input
- SAE B 2 & 4 bolt input
- Pulley and shaft input
- Tapered splined shaft with blade hub output
- Straight keyed output shaft

Hydraulic Motor Flange Options

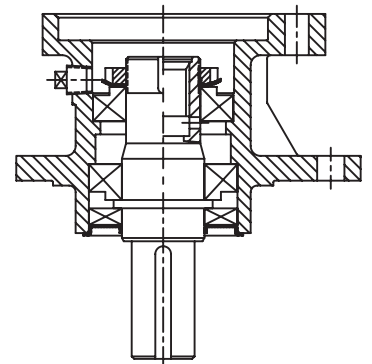
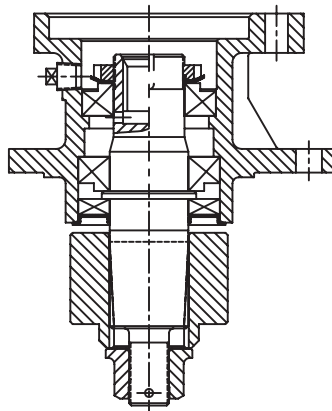
SAE C 2 & 4 Bolt

SAE B 2 & 4 Bolt

Output Flange



Output Shaft Options



Tapered Spline w/Blade Hub

Straight Keyed



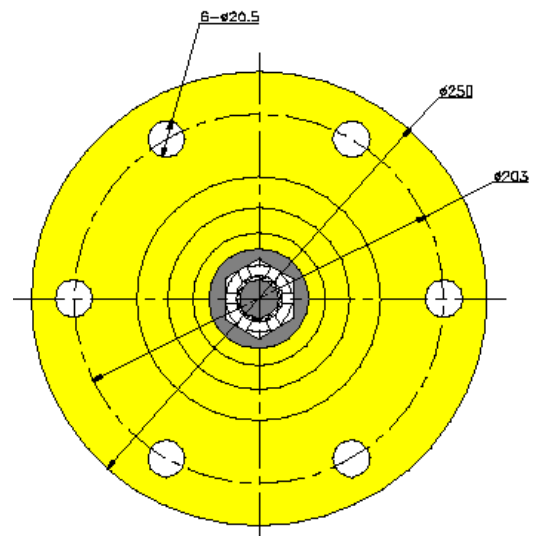
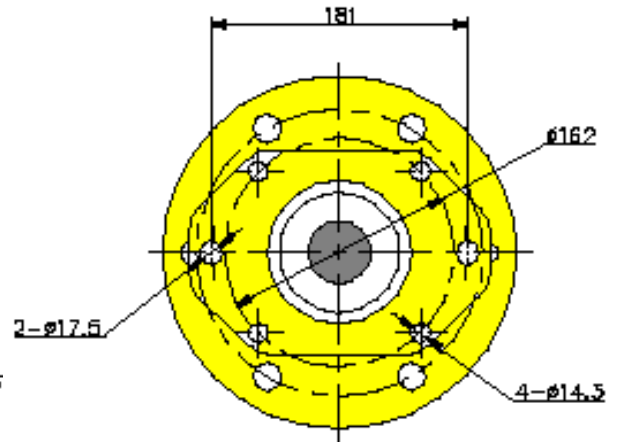
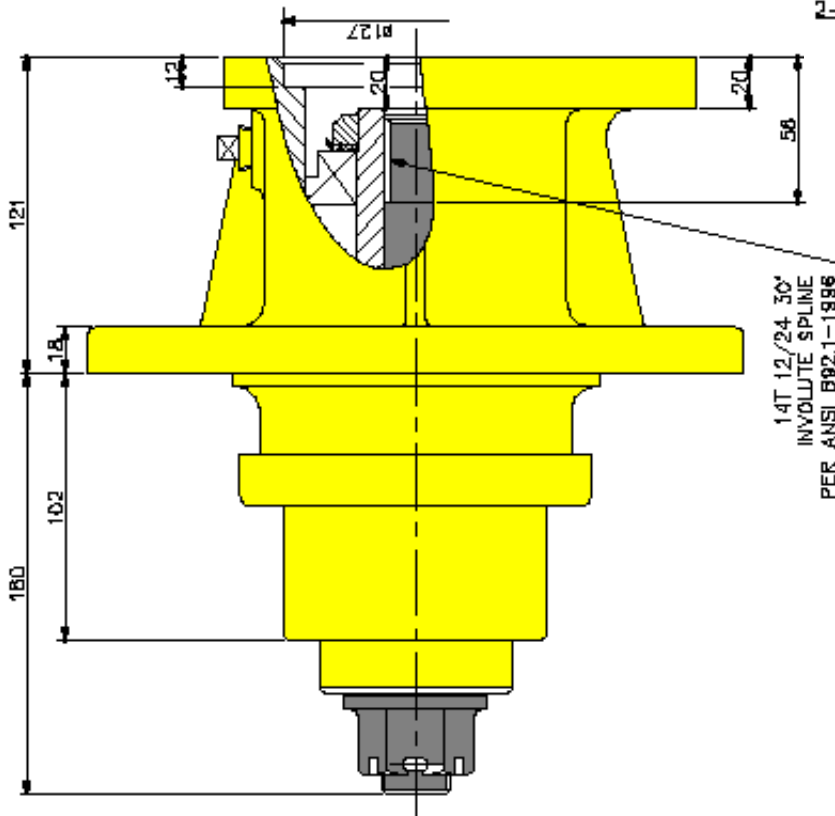


OMNI GEAR®

MDH-65 Bearing Housing

•Options Include:

- SAE B 2-Bolt, 13T Input
- SAE C 2&4 –Bolt, 14T Input
- Pulley and Shaft input options available
- Tapered Splined shaft with blade hub output
- Straight Keyed output shaft also available
- Massive 2 3/8” diameter Output shaft
- Mechanical Seal Guard





OMNI GEAR®

MDH-100

Bearing Housing

•Options Include:

- SAE C 2&4 14T input
- SAE D Input
- Pulley and Shaft input options available
- Tapered Splined shaft with blade hub output
- Straight Keyed output shaft also available
- Massive 3" Diameter Output Shaft
- Labyrinth Style Seal Protector

