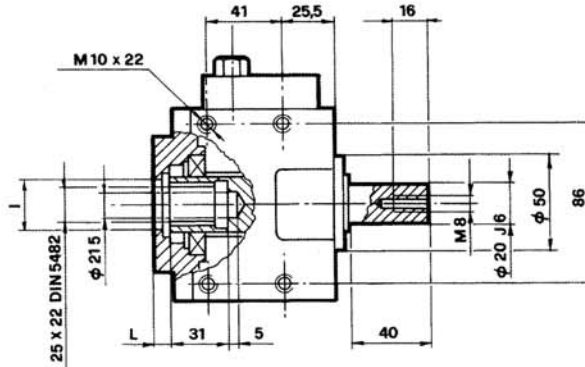
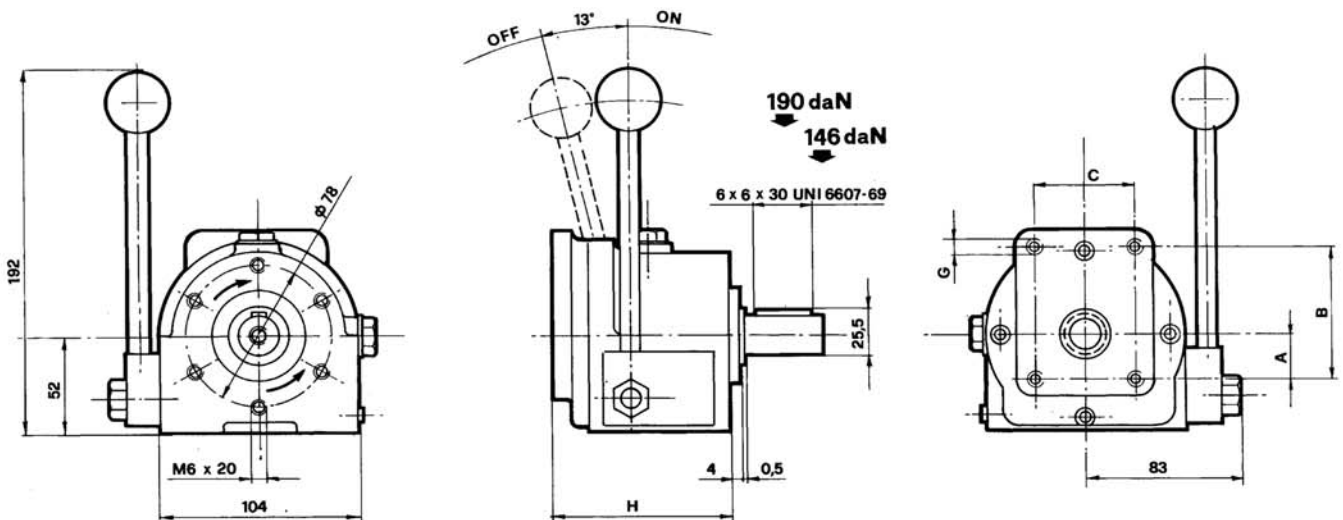


## Mechanical Clutches for Gp1 & Gp2 pumps (9.0 daNm)

### Series 30100



Mechanical clutches are uni-directional & reversible  
When coupling to hydraulic pumps we recommend to engage & disengage the pump when the directional valve is in the exhaust position at a speed not more than 1800 rpm for uni-directional & 1000 rpm for reversible clutches.  
Lubrication: oil type SAE 90  
Change oil every 12 months  
Working temperature range: -10 to +80 degrees C



The mechanical couplings with two direction arrows are REVERSIBLE

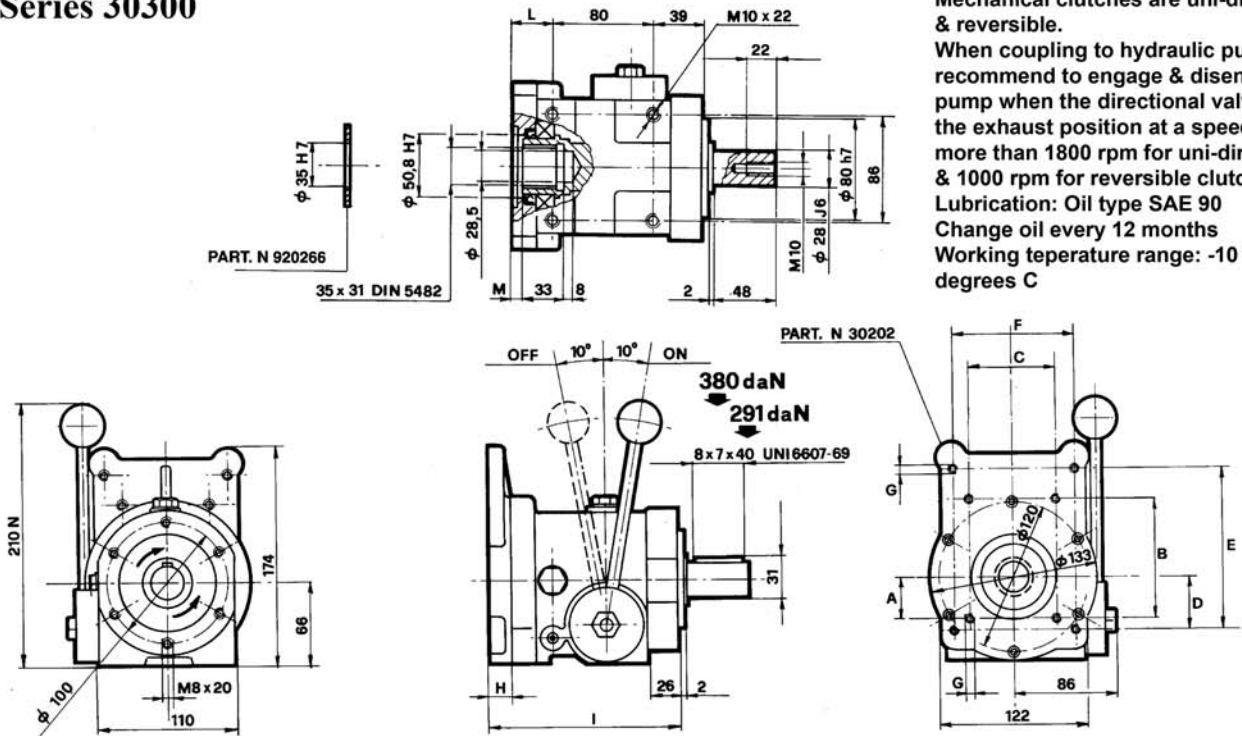
Coppia Nominale Couple nominal Nominal torque Nenn Drehmoment	Velocità max. Vitesse maxi. Max. speed Max. Drehgeschwindigkeit	Potenza max. trasmissibile Puissance maxi transmissible Max. power output Max. übertragbare Leistung	Carico assiale Charge axial Axial load Längsbelastung
9 daNm	2000 RPM	Kw 30	120 daN

CODICE CODE CODE No. CODENUMMER	SENSO DI ROTAZIONE SENS ROTATION DIRECTIO OF ROTATION DREHRICHTUNGB	GRUPPO GROUPE UNIT GRUPPE	A	B	C	G	H	I	L
* 30100	REV.	1	26.3	72	52.4	M6x12	92.5	25.4 H7	7
30103	DESTRO								
30104	SINISTRO	2	32.5	96	71.4	M8x15	95.5	36,5 H7	10
30100/B	REV	2 BOSCH	34.5	100	72	M8x15	95.5	80 H7	10
30105	DESTRO								
30106	SINISTRO								

\* Preferred

## Mechanical Clutches for Gp2 & Gp3 pumps (18.5 DaNm)

### Series 30300



Mechanical clutches are uni-directional & reversible.

When coupling to hydraulic pumps we recommend to engage & disengage the pump when the directional valve is in the exhaust position at a speed not more than 1800 rpm for uni-directional & 1000 rpm for reversible clutches  
Lubrication: Oil type SAE 90  
Change oil every 12 months  
Working temperature range: -10 to +80 degrees C

The mechanical couplings with two direction arrows are REVERSIBLE

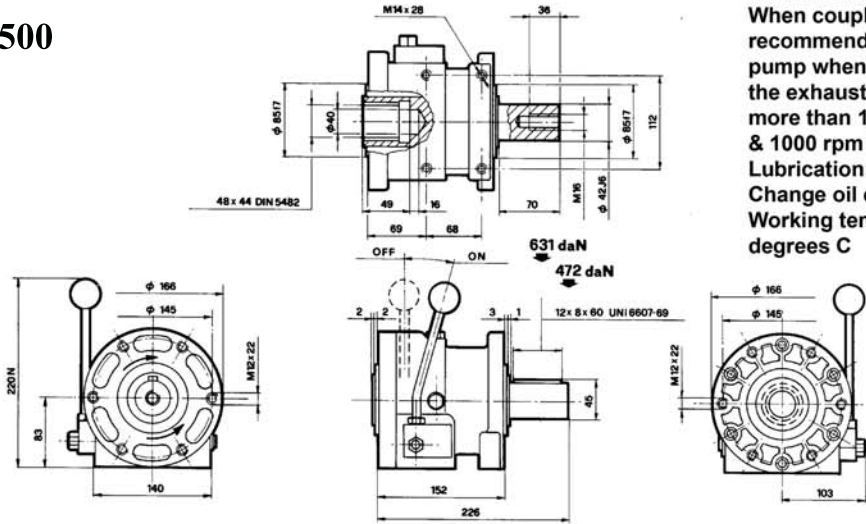
Coppia Nominale Couple nominal Nominal torque Nenn Drehmoment	Velocità max. Vitesse maxi. Max. speed Max. Drehgeschwindigkeit	Potenza max. trasmissibile Puissance maxi transmissible Max. power output Max. übertragbare Leistung	Carico assiale Charge axial Axial load Längsbelastung
18,5 daNm	2700 RPM	Kw 40	160 daN

CODICE CODE CODE No. CODENUMMER	SENSO DI ROTAZIONE SENS ROTATION DIRECTIO OF ROTATION DREHRICHTUNGB	GRUPPO GROUPE UNIT GRUPPE	A	B	C	D	E	F	G	H	I	L	M	N	O H7	P
* 30300	REV.															
30301	DESTRO	2-3	32.5	96	71.4	42.5	128	98.4	M8x15	19	151	32	8.6			
30302	SINISTRO	30202														
30313	REV	2	34.5	100	72				M8x15	19	151	32	8.6	8.5	80	
30307	DESTRO	BOSCH														
30308	SINISTRO	30217														
30314	REV	3	48	145	102				M10x15	19.5	151.5	32.5	9.1	9	105	
30309	DESTRO	BOSCH														
30310	SINISTRO	30228														
30311	REV	SAE A					106.4		M10x22	34	166	47	23.6	15	82.55	
30303	DESTRO	30203														
30304	SINISTRO															
30312	REV	SAE B					146		M12x22	39	171	52	28.6	20	101.6	M12x22
30305	DESTRO	30221														
30306	SINISTRO															

\* Preferred

## Mechanical Clutches for Gp3 & Gp4 pumps (58 DaNm)

### Series 30500



Mechanical clutches are uni-directional & reversible

When coupling to hydraulic pumps we recommend to engage & disengage the pump when the directional valve is in the exhaust position at a speed not more than 1800 rpm for uni-directional & 1000 rpm for reversible clutches  
Lubrication: Oil type SAE 90  
Change oil every 12 months  
Working temperature range: -10 to +80 degrees C

The mechanical couplings with two direction arrows are REVERSIBLE

Coppia Nominale Couple nominal Nominal torque Nenn Drehmoment	Velocità max. Vitesse maxi. Max. speed Max. Drehgeschwindigkeit	Potenza max. trasmissibile Puissance maxi transmissible Max. power output Max. übertragbare Leistung	Carico assiale Charge axial Axial load Längsbelastung
<b>58 daNm</b>	<b>2700 RPM</b>	<b>Kw 60</b>	<b>260 daNm</b>

CODICE CODE CODE No. CODENUMMER	SENSO DI ROTAZIONE SENS ROTATION DIRECTIO OF ROTATION DREHRICHTUNGB
30500	REVERSIBILE - REVERSIBLES - REVERSIBLE - REVERSIBEL
30501	DESTRO - DROITE - RIGHT - RECHTSLAUFIG
30502	SINISTRO - GAUCHE - LEFT - LINKSLAUFIG

CODICE CODE CODE No. CODENUMMER	FLANGIA: TIPO BRIDE: TYPE FLANGE: TYPE FLANSCHTYPE	A	B	C	D	EH 7	FG	H	I	L	M	N
30400	Gr.2							17	21			
30401	Gr.3							21	23			
30402	Gr. 3.5	49.3	149.5	114.3	M10x20	60.3		11.5	24			
30403	Gr. 4	64.5	188	143	M12x22	63.5		16	23			
30417	Gr. 3 BOSCH	48	145	102	M10x15	105		12	19			
30420	SAE A					82.55	M12x20	21	25	106		M12x25
30422	SAE B					101.6	M12x20	12	25	146		M12x25 127
30432	SAE C					127	M14x25	16	28	181		M16x25 162
30461	L.G. 20-35				M10x16	100		25	34		160	
30462	L.G. 50				M10x25	100		32.5	41		160	
30463	L.G. 75				M12x25	105		33	41		180	
30471	ULTRA 3PL DOWTY	52.5	53.4	105.1	M10x20	101.6		10.5	24.5			

## Flange Options for Series 30500 Mechanical Clutches

