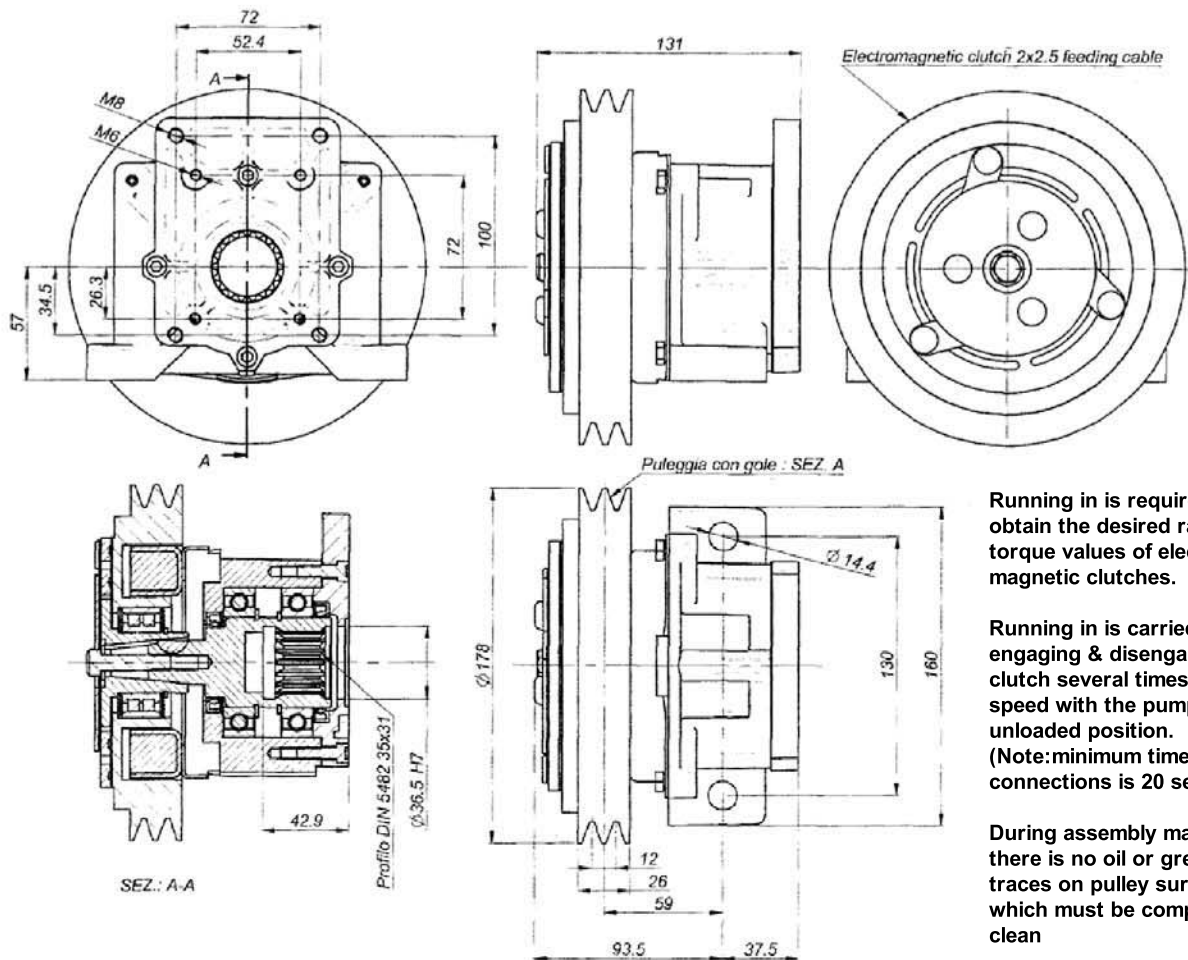


Electromagnetic Clutches for Gp1 & Gp2 pumps (14DaNm)

Series 30980-12 12 volt
Series 30981-24 24 volt



Running in is required to obtain the desired rated torque values of electromagnetic clutches.

Running in is carried out by engaging & disengaging the clutch several times at high speed with the pump in the unloaded position.
(Note: minimum time between connections is 20 seconds)

During assembly make sure there is no oil or grease traces on pulley surfaces which must be completely clean

Nominal torque	11,8 daNm		Connection time		25 m/sec	
Static torque	14,0 daNm		Disconnection time		40 m/sec	
Dynamic torque	12,5 daNm		at 500 rpm		Minimum time between two connection	20 sec
	11,0 daNm		at 1000 rpm			
	8,2 daNm		at 1500 rpm			
	7,5 daNm		at 2000 rpm		Max speed	5000 rpm
	6,7 daNm		at 2500 rpm			
	6,5 daNm		at 3000 rpm		Weight	5,8 Kg
Electric absorption	Resistance (Ω)		Current (A)		Power (W)	
	20° C	120° C	20° C	120° C	20° C	120° C
12 V DC	4,00	5,60	3,33	2,00	40,00	24,00
24 V DC	20,00	28,00	1,26	0,77	30,30	18,18
All technical data are at 20°C / at 120 °C the performance are less 20%						
All electromagneteic clutches are reversible.						