

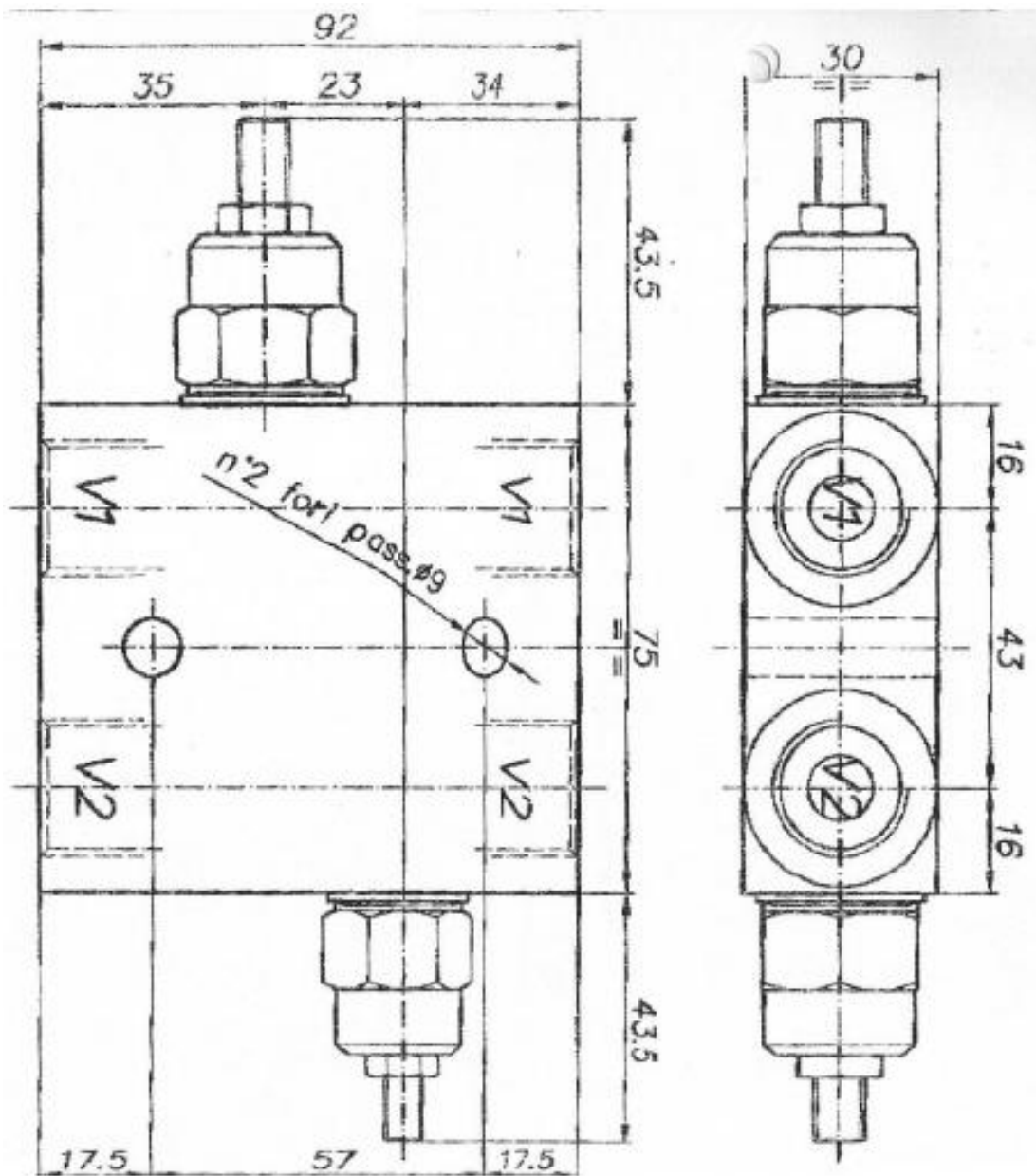
Technical Marketing &
Distribution



Albroco Ltd

Contact us:
By Phone: 01352 734182
By Fax: 01352 732159
By e-mail: info@albroco.co.uk

Line Mounted Cross Line Relief Valve with 1/2" BSP Ports
Albroco Part Number CLRLM12BSP-140



www.albroco.co.uk