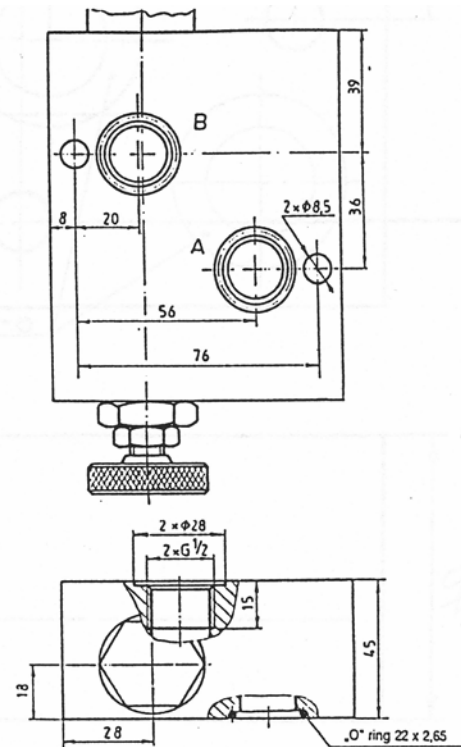
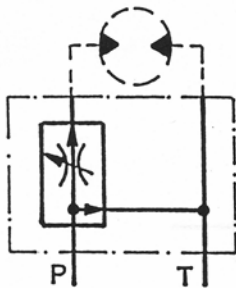


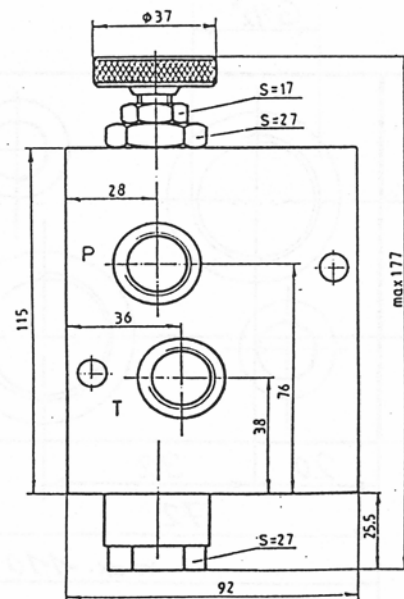
***BVR Type Motor Mounted
Pressure Compensated
Flow Control Valve***

Type: BV/R/12/05



**Nominal Flow Rate:
100 l/min**

**Nominal Pressure:
250 bar**



Manifold Mounts Directly onto ports of EPM & EPRM (OMP & OMR) motor